

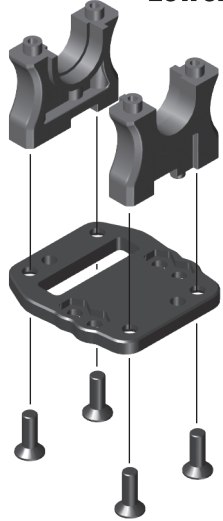
:: RC8B4e FWB/RWB Chassis and Adapter Plate Set Supplement

! Note: Do not use brake rotor guides on center bulkheads

Motor Direction on ESC to Reverse

Weight Bias Setting	FWB	RWB
Center Diff Adapter Position	FWD	RWD
Motor Clamp Position	FWD	RWD
Front Dogbone Shaft (mm)	96.5	104
Rear Dogbone Shaft (mm)	104	96.5

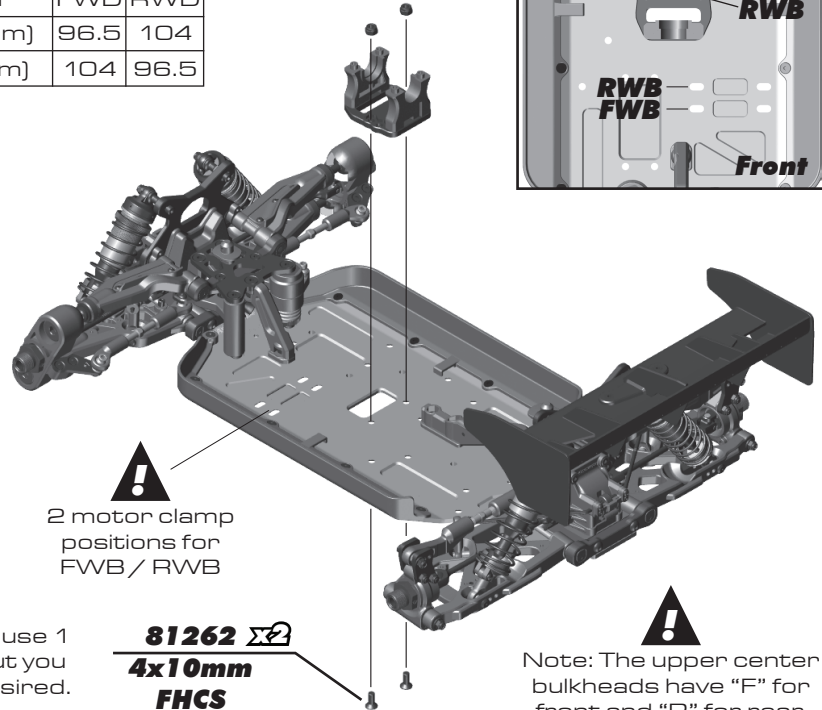
81448 
Center Bulkhead, Lower



81645
FWB / RWB Adapter Plate

89214 
4x12mm FHCS

89216 
M4 Locknut

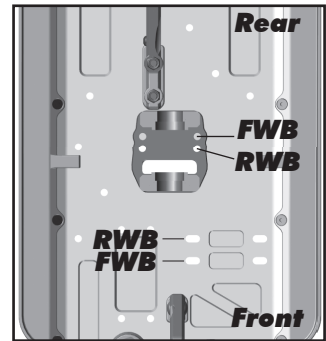


!
2 motor clamp positions for FWB / RWB

!
You only need to use 1 motor clamp, but you can use two if desired.

81262 
4x10mm FHCS

!
Note: The upper center bulkheads have "F" for front and "R" for rear.



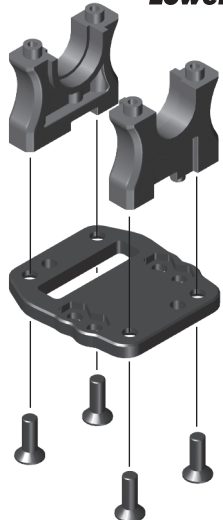
:: RC8B4e FWB/RWB Chassis and Adapter Plate Set Supplement

! Note: Do not use brake rotor guides on center bulkheads

Motor Direction on ESC to Reverse

Weight Bias Setting	FWB	RWB
Center Diff Adapter Position	FWD	RWD
Motor Clamp Position	FWD	RWD
Front Dogbone Shaft (mm)	96.5	104
Rear Dogbone Shaft (mm)	104	96.5

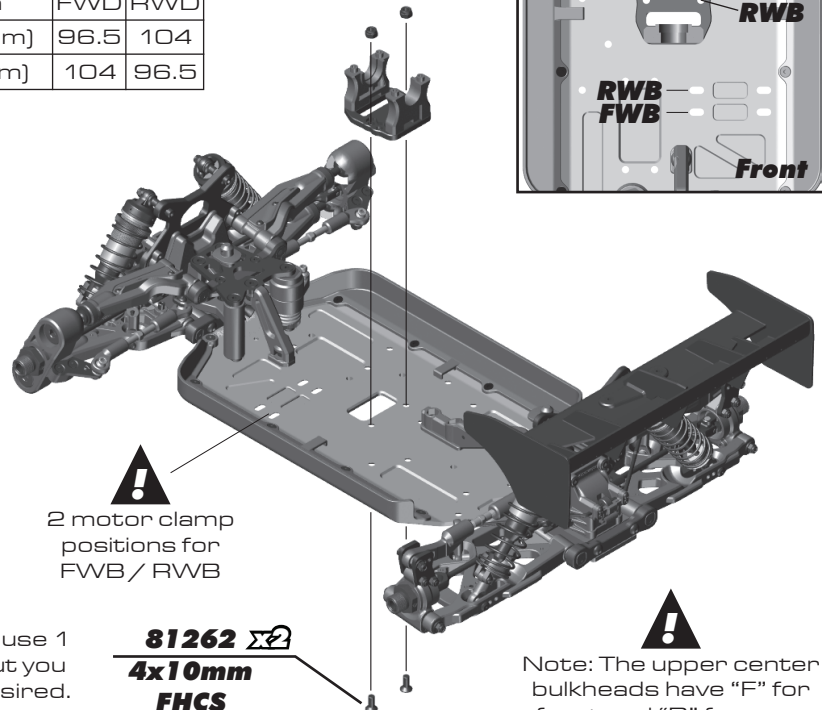
81448 
Center Bulkhead, Lower



81645
FWB / RWB Adapter Plate

89214 
4x12mm FHCS

89216 
M4 Locknut



!
2 motor clamp positions for FWB / RWB

!
You only need to use 1 motor clamp, but you can use two if desired.

81262 
4x10mm FHCS

!
Note: The upper center bulkheads have "F" for front and "R" for rear.

