

1/8th Scale Electric Powered Racing Buggy MBX8R ECO Parts List (E2028)

B,C,D-Parts

B0431a B0431 4pcs.	C0107Da C0107D 4pcs.	C0264 C0264 2pcs. SK4x4 2pcs.
C0270 φ3x12.8pin 10pcs.	C0271 φ3x13.8Pin 10pcs.	C0529Aa C0529A 4pcs.
C0601 C0601 2pcs. (8x16x5)	C0601/1a C0601 10pcs. (8x16x5)	C0605 C0605 2pcs. (6x10x3)
C0801Ha C0801H 2pcs.	D0602 D0602(6x13x5) 2pcs.	D0807 D0807 8pcs.

E-Parts

E0117 OPT E0117 2pcs.	E0135-Ba E0135A 12pcs. (1mm) E0135B 2pcs. (1.2mm) E0135C 2pcs. (1.4mm) E0135D 2pcs. (2mm) E0135E 2pcs. (0.9mm) E0135F 2pcs. (1.1mm)
E0155 E0155 4pcs.	E0159 E0159 4pcs.
E0160a E0160 2pcs.	
E0161a E0161 4pcs.	E0162a E0162 2pcs.
E0163 E0164 E0165 E0166 E0167 E0175 OPT FRONT E0163 φ2.2 1pc. OPT E0164 φ2.3 1pc. E0165 φ2.4 1pc. OPT E0166 φ2.5 1pc. OPT E0167 φ2.6 1pc. OPT E0175 φ2.1 1pc. OPT	
E0168 E0169 E0170 E0171 E0172 E0176 OPT REAR E0168 φ2.7 1pc. E0169 φ2.8 1pc. OPT E0170 φ2.9 1pc. OPT E0171 φ3.0 1pc. OPT E0172 φ3.2 1pc. OPT E0176 φ2.6 1pc. OPT	

B,C,D-Parts

B0431a 3mm CONE WASHER
 C0107Da PIVOT BALL φ7mm
 C0264 JOINT SHAFT
 C0270 JOINT PIN(FOR E2228/E2229/E2261/E2262)
 C0271 JOINT PIN(FOR E2218/E2219/E0222)
 C0529Aa LINK BALL
 C0601 BEARINGS (8x16x5) 2pcs.
 C0601/1a BEARINGS (8x16x5) 10pcs.
 C0605 BEARINGS (6x10x3) 2pcs.
 C0801Ha PIVOT BUSH
 D0602 BEARINGS (6x13x5) 2pcs.
 D0807 BODY PIN 15/21

E-Parts

E0117 TITANIUM REAR UPPER ARM
 E0135-Ba SUS. ARM SPACER
 E0155 ANTI ROLL BAR LINK
 E0159 ADJUST NUT
 E0160a FRONT LOWER KINGPIN BALL
 E0161a FRONT TRACK WIDTH ADJUST SPACER
 E0162a FRONT UPPER ARM SHAFT
 E0163 E0163 FRONT ANTI ROLL BAR φ2.2mm
 E0164 E0164 FRONT ANTI ROLL BAR φ2.3mm
 E0165 E0165 FRONT ANTI ROLL BAR φ2.4mm
 E0166 E0166 FRONT ANTI ROLL BAR φ2.5mm
 E0167 E0167 FRONT ANTI ROLL BAR φ2.6mm
 E0168 REAR ANTI ROLL BAR φ2.7mm
 E0169 REAR ANTI ROLL BAR φ2.8mm
 E0170 REAR ANTI ROLL BAR φ2.9mm
 E0171 REAR ANTI ROLL BAR φ3.0mm
 E0172 REAR ANTI ROLL BAR φ3.2mm

E0174 OW5x8x0.1 10pcs. OW13.5x15.9x0.2 5pcs.	E0183 E0183 5pcs.
E0210 φ3x16.8 Pin 8pcs.	E0219a E0219 4pcs.
E0220 E0221 2pcs. φ2.5x14.8Pin 2pcs. C0264 2pcs. SK5x5 2pcs. E0222 2pcs.	E0221 E0221 2pcs.
E0222 E0222 2pcs.	E0238 φ2.5x14.8Pin 10pcs.
E0239a OPT E0239 2pcs.	E0240a E0240 2pcs.
E0241a OPT E0241 2pcs.	
E0242 OPT E0242 2pcs.	E0322 E0322 1pc.
E0517 E0517 2pcs.	E0519 E0519 2pcs.
E0520 E0520 4pcs. C0590A 4pcs. P3.5 O-Ring(Si) 8pcs.	
E0545a E0545A 4pcs. E0545B 4pcs.	E0546a E0546 4pcs.
E0548b E0548 4pcs.	
E0554 E0555 E0556 E0561 E0562 E0563 OPT E0568 E0569 E0554 φ1.6 L86/10.5T 2pcs. OPT E0555 φ1.6 L86/10.25T 2pcs. OPT E0556 φ1.6 L86/10.0T 2pcs. OPT E0561 φ1.6 L86/11.25T 2pcs. OPT E0562 φ1.6 L86/11.0T 2pcs. OPT E0563 φ1.6 L86/10.75T 2pcs. OPT E0568 φ1.6 L86/9.75T 2pcs. OPT E0569 φ1.6 L86/9.5T 2pcs. OPT	

E0174 WASHER SET
 E0175 FRONT ANTI ROLL BAR φ2.1mm
 E0176 REAR ANTI ROLL BAR φ2.6mm
 E0183 REBOUND STOP ADJ. SCREW
 E0210 φ3x16.8 PIN (8pcs.)
 E0219a SELF-LOCK WHEEL NUT
 E0220 F/R UNIVERSAL JOINT SET
 E0221 F/R AXLE SHAFT
 E0222 F/R DRIVE SHAFT
 E0238 JOINT PIN (φ2.5x14.8)(FOR E0220/E0221/E0242)
 E0239a WHEEL HUB
 E0240a WIDE OFFSET WHEEL HUB 1mm
 E0241a WIDE OFFSET WHEEL HUB 2mm
 E0242 AL. F/R AXLE SHAFT
 E0322 RADIO BOX GROMMET
 E0517 FRONT DAMPER SHAFT
 E0519 OIL SEAL CAP
 E0520 OIL SEAL SET
 E0545a DAMPER END PARTS
 E0546a DAMPER MOUNT PIVOT BUSH
 E0548b DAMPER MOUNT PIVOT
 E0554 REAR DAMPER SPRING φ1.6 L86/10.5T
 E0555 REAR DAMPER SPRING φ1.6 L86/10.25T
 E0556 REAR DAMPER SPRING φ1.6 L86/10.0T
 E0561 REAR DAMPER SPRING φ1.6 L86/11.25T
 E0562 REAR DAMPER SPRING φ1.6 L86/11.0T
 E0563 REAR DAMPER SPRING φ1.6 L86/10.75T
 E0568 REAR DAMPER SPRING φ1.6 L86/9.75T
 E0569 REAR DAMPER SPRING φ1.6 L86/9.5T

E0575 E0576 E0577 E0578 E0582 OPT E0575 φ1.5 L86/8.5T 2pcs. OPT E0576 φ1.5 L86/8.25T 2pcs. OPT E0577 φ1.5 L86/8.0T 2pcs. OPT E0578 φ1.5 L86/7.75T 2pcs. OPT E0582 φ1.5 L86/8.75T 2pcs. OPT	
E0601a E0601 2pcs. (15x21x4)	E0601/1b E0601 10pcs. (15x21x4)
E0711 OPT 12T SK4x4 1pc.	E0712 OPT 13T SK4x4 1pc.
E0713 OPT 14T SK4x4 1pc.	
E0714 OPT 15T SK4x4 1pc.	E0715 16T SK4x4 1pc.
E0716 OPT 17T SK4x4 1pc.	
E0803 E0803 2pcs.	E0806 E0806A 1pc.
E0808a OPT E0808 1pc.	E0814 E0814A 2pcs. E0814B 2pcs.
E0829a E0829 4pcs.	E0838 E0838 2pcs.
E1024a OPT E1024 WHITE 4pcs.	E1025a OPT E1025 YELLOW 4pcs.
E1072a E1072 (0.8mm) 1pc. E1072-A (Window Mask) 1pc.	E1081W OPT E1081W 1pc. (White)

E1081Y OPT
E1081Y 1pc. (Yellow)
 E1081B OPT
E1081B 1pc. (Black)
 E0575 REAR DAMPER SPRING φ1.5 L86/8.5T
 E0576 REAR DAMPER SPRING φ1.5 L86/8.25T
 E0577 REAR DAMPER SPRING φ1.5 L86/8.0T
 E0578 REAR DAMPER SPRING φ1.5 L86/7.75T
 E0582 REAR DAMPER SPRING φ1.5 L86/8.75T
 E0601a BEARINGS (15x21x4) 2pcs.
 E0601/1b BEARINGS (15x21x4) 10pcs.
 E0711 PINION GEAR 12T
 E0712 PINION GEAR 13T
 E0713 PINION GEAR 14T
 E0714 PINION GEAR 15T
 E0715 PINION GEAR 16T
 E0716 PINION GEAR 17T
 E0803 FUEL TANK BUSH
 E0806 TURNBUCKLE ROD 35mm
 E0808a TITANIUM TURNBUCKLE ROD 35mm
 E0814 BALL LINK φ7mm
 E0829a ANTI ROLL BAR LINK BALL
 E0838 STEERING ROD 52
 E1024a WHEEL LD WHITE (4pcs.)
 E1025a WHEEL LD YELLOW (4pcs.)
 E1071a BODY MBX8 ECO (0.8mm)
 E1081W REAR WING (WHITE)
 E1081Y REAR WING (YELLOW)
 E1081B REAR WING (BLACK)

1/8スケール MBX8R ECO パーツリスト (E2028)

E1083 MBX8R ECO INSTRUCTION MANUAL	E2103-B OPT E2103L-B 1pc. E2103R-B 1pc.
E2115 E2115 2pcs.	E2116 E2116 2pcs.
E2120 E2120 2pcs.	E2121Ba E2121B 2pcs.
E2123 OPT E2123 2pcs.	
E2124 OPT E2124 2pcs.	E2132 E2132L 1pc. E2132R 1pc.
E2136 E2137 E2184 OPT E2136 φ2.7 1pc. E2137 φ2.8 1pc. E2184 φ2.0 1pc.	E2138 E2185 OPT E2138 φ2.5 1pc. E2185 φ2.4 1pc.
E2139a OPT E2139 4pcs.	E2141a E2141A 1pc.
E2141Ba E2141B 1pc.	E2142a E2142A 1pc. E2142B 1pc. E2142C 1pc.
E2144a E2144L 1pc. E2144R 1pc. E2144B 1pc.	
E2146a E2146R 1pc. E2146L 1pc. E2151A 4pcs.	E2147a OPT E2147R 1pc. E2147L 1pc. E2151A 4pcs.

E1083 MBX8R ECO INSTRUCTION MANUAL
 E2103-B FRONT LOWER ARM (LW)
 E2115 FRONT LOWER ARM SHAFT
 E2116 REAR LOWER ARM SHAFT S
 E2120 REAR LOWER ARM SHAFT L
 E2121Ba SERVO SAVER SPACER(FOR E2121/E2158)
 E2123 KINGPIN BALL (STEEL)
 E2124 ADJUST NUT (STEEL)
 E2132 FRONT UPPER ARM
 E2136 FRONT ANTI ROLL BAR φ2.7mm
 E2137 FRONT ANTI ROLL BAR φ2.8mm
 E2138 REAR ANTI ROLL BAR φ2.5mm
 E2139a FRONT TRACK WIDTH ADJUST SPACER (0.5mm)
 E2141Aa MOTOR MOUNT A
 E2141Ba MOTOR MOUNT B
 E2142a GEAR BOX
 E2144a FRONT LOWER ARM
 E2146a FRONT UPRIGHT
 E2147a FRONT UPRIGHT(1.5)

1/8スケール MBX8R ECO パーツリスト (E2028) [Not used in this kit.] NO,06

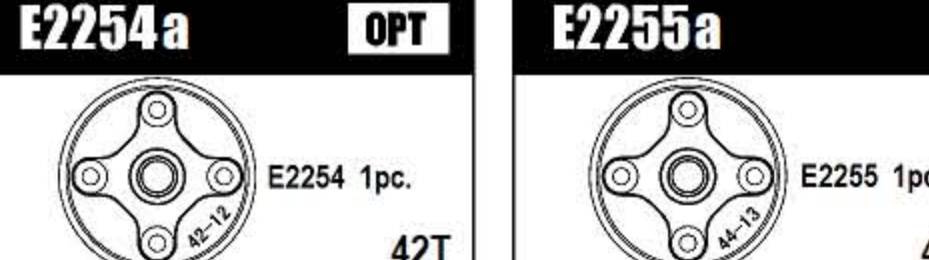
E2148a E2148A 1pc. E2107F 1pc. E2107B 1pc. E2107A 1pc. E2148B 1pc. E2148C 2pcs. E2188E 1pc. E2188F 1pc.	E2149a E2149 1pc.	E2150a E2150 1pc.
E2153a OPT E2153R 1pc. E2153L 1pc.	E2154a OPT (1mm) E2154 2pcs.	E2155a OPT (1.2mm) E2155 2pcs.
E2158a OPT E2158 1pc. E2121B 2pcs. SIG3x12 1pc. S/JG4x10 2pcs. Manual 1pc.	E2159 E2159 2pcs.	
E2160-B E2160A 1pc. E0188E 1pc. E0188F 1pc. E0188B-B 1pc. E0188D 1pc. E0188C 1pc.	E2168a E2168R 1pc. E2168L 1pc.	
E2171 E2171L 1pc. E2171A 1pc. E2171R 1pc. E2171B 1pc.	E2172 E2172L 1pc. E2172R 1pc.	
E2173 E2173A 6pcs. E2173B 6pcs. E2173C 6pcs. E2108B 4pcs. E2173D 2pcs. E2173E 2pcs. E2173F 2pcs. E2108A 4pcs. E2108F(1mm) 2pcs. E2108G(1.5mm) 2pcs. E2108H(2.5mm) 2pcs.		
E2174 E2174 1pc.	E2175 E2175 1pc.	E2176 E2176 1pc.
E2177 E2177 4pcs.	E2178 OPT E2178 4pcs.	E2179 E2179 4pcs.

E2148a TENSION ROD
 E2149a FRONT LOWER ARM MOUNT F
 E2150a FRONT LOWER ARM MOUNT R
 E2153a FRONT UPRIGHT ARM (CFRP)
 E2154a FRONT LOWER ARM PLATE CFRP (1mm)
 E2155a FRONT LOWER ARM PLATE CFRP (1.2mm)
 E2158a FRONT UPPER PLATE (CFRP)
 E2159 REAR UPPER ARM ROD
 E2160-B CENTER DIFF. MOUNT
 E2168a FRONT UPRIGHT ARM (-3)
 E2171 REAR LOWER ARMS
 E2172 REAR HUBS
 E2173 ARM MOUNT INSERT SET
 E2174 FRONT LINK MOUNT
 E2175 REAR LOWER ARM MOUNT (F)
 E2176 REAR LOWER ARM MOUNT (R)
 E2177 REAR LINK PLATES (+3)
 E2178 REAR LINK PLATES (0)
 E2179 ANTI-ROLL BAR STOPPER

E2180 OPT (1mm) E2180 2pcs.	E2181 OPT (1.2mm) E2181 2pcs.
E2182 OPT E2182L 1pc. E2182R 1pc. E2182A 4pcs. E2182B 4pcs. SIG3x8 8pcs.	E2182A/B OPT E2182A 4pcs. E2182B 4pcs.
E2182L OPT E2182L 1pc.	E2182R OPT E2182R 1pc.
E2183 OPT E2183L 1pc. E2183R 1pc.	
E2218 OPT E2218 2pcs.	
E2219 OPT E2219 2pcs.	
E2228 OPT E2228 1pc. SK5x5 1pc.	
E2229 OPT E2229 1pc. SK5x5 1pc.	E2232a E2232 1pc.
E2237 E2237 2pcs.	E2238a E2238 4pcs. 10T
E2240a E2240 2pcs.	
E2241 E2241 10pcs.	E2242a S6 O-Ring (Si) 10pcs.
E2243 OW3.5x12x0.2 12pcs. OW6x12x0.2 6pcs.	
E2252a OPT E2252 1pc.	E2253a E2253 1pc. 13T

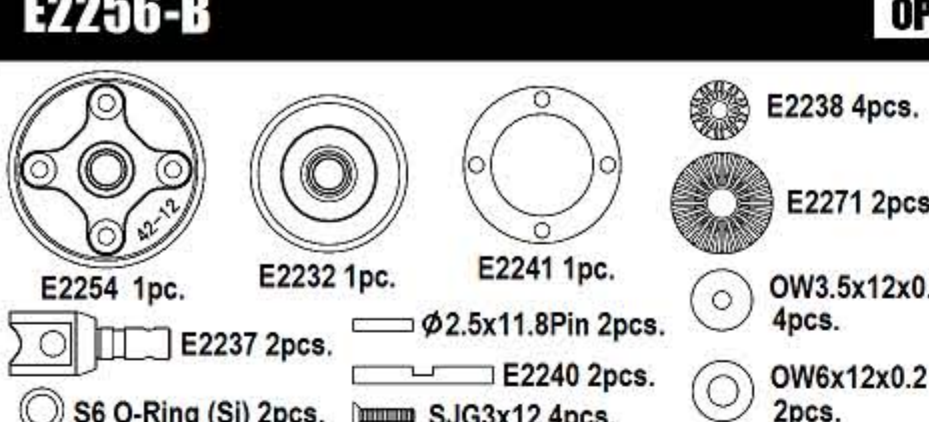
E2180 REAR LOWER ARM PLATES CFRP (1mm)
 E2181 REAR LOWER ARM PLATES CFRP (1.2mm)
 E2182 AL. REAR HUB SET
 E2182A/B AL. REAR HUB BUSH SET
 E2182L AL. REAR HUB (L)
 E2182R AL. REAR HUB (R)
 E2183 REAR LOWER ARMS (LW)
 E2184 FRONT ANTI-ROLL BAR (φ2.0mm)
 E2185 REAR ANTI-ROLL BAR (φ2.4mm)
 E2218 FRONT UNIVERSAL JOINT
 E2219 REAR UNIVERSAL JOINT
 E2228 CENTER UNIVERSAL JOINT F (78.5)
 E2229 CENTER UNIVERSAL JOINT R (110)
 E2232a DIFF. CASE (H.T. DIFF.)
 E2238a DIFF. CUP JOINT (H.T. DIFF.)
 E2240 DIFF. GEAR 10T (H.T. DIFF.)
 E2241 SHAFT (H.T. DIFF.)
 E2242a GASKET FOR DIFF. (H.T. DIFF.)
 E2243 S6 O-RINGS Si (H.T. DIFF.)
 E2252a DIFF. WASHER SET (H.T. DIFF.)
 E2253a BEVEL GEAR 12T
 E2253a BEVEL GEAR 13T

E2254a OPT **E2255a**



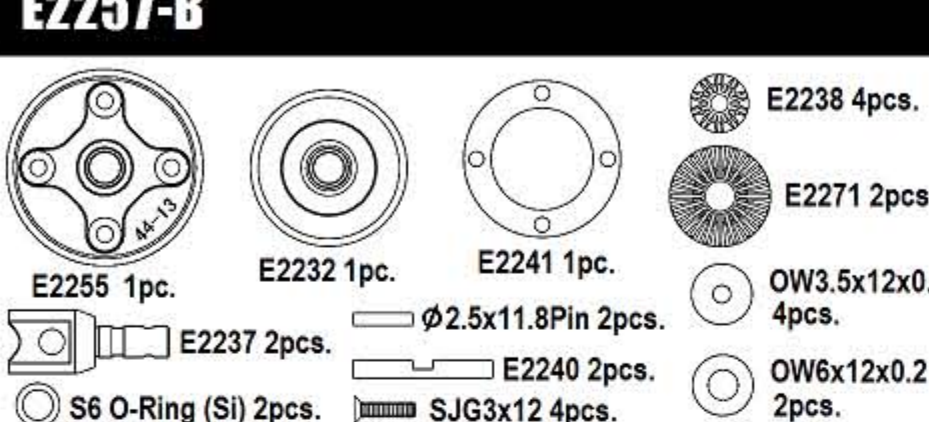
E2254 1pc. 42T
E2255 1pc. 44T

E2256-B OPT



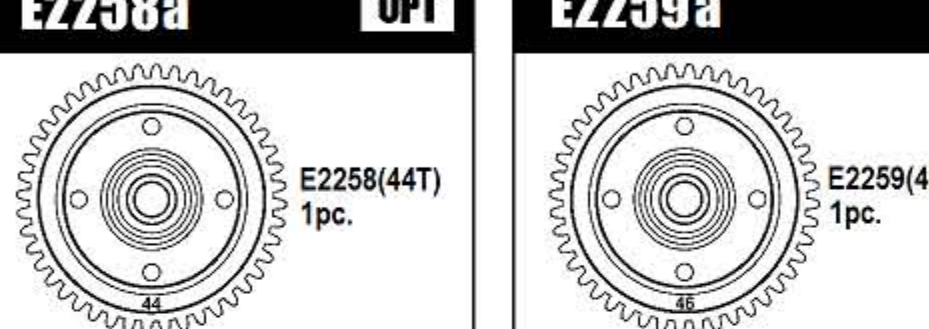
E2238 4pcs.
E2271 2pcs.
E2254 1pc. E2232 1pc. E2241 1pc.
E2237 2pcs. ϕ 2.5x11.8Pin 2pcs.
E2240 2pcs. OW3.5x12x0.2 4pcs.
S6 O-Ring (Si) 2pcs. SJG3x12 4pcs. OW6x12x0.2 2pcs.

E2257-B



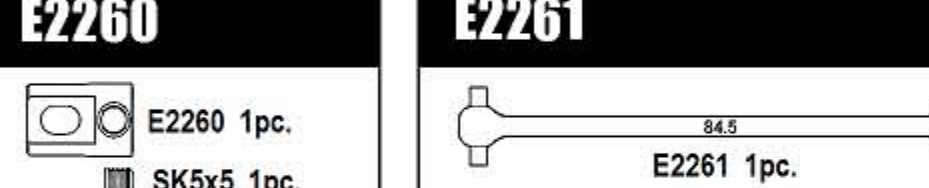
E2238 4pcs.
E2271 2pcs.
E2255 1pc. E2232 1pc. E2241 1pc.
E2237 2pcs. ϕ 2.5x11.8Pin 2pcs.
E2240 2pcs. OW3.5x12x0.2 4pcs.
S6 O-Ring (Si) 2pcs. SJG3x12 4pcs. OW6x12x0.2 2pcs.

E2258a OPT **E2259a**



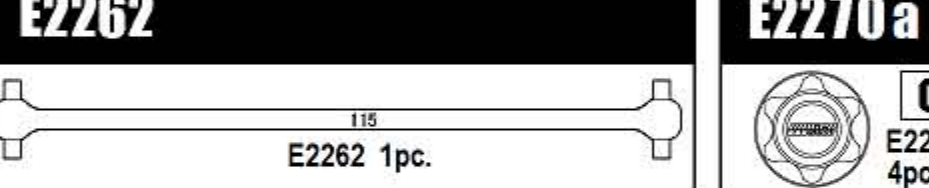
E2258(44T) 1pc. E2259(46T) 1pc.

E2260 **E2261**



E2260 1pc. SK5x5 1pc.
E2261 1pc.

E2262 **E2270a** OPT



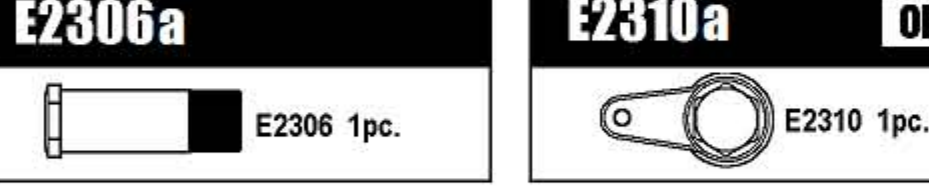
E2262 1pc. E2270 4pcs.

E2271 **E2301a**



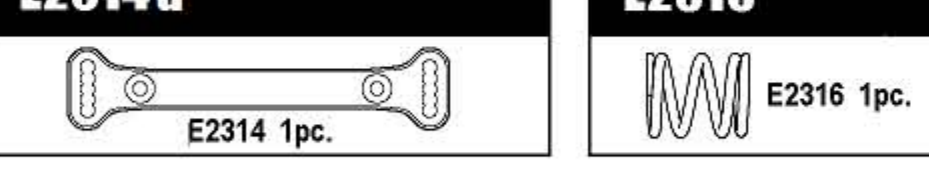
E2271 2pcs. 20T
E2301A 1pc. E2301B 1pc. E2301C 1pc. E2301D 1pc.

E2306a **E2310a** OPT




E2306 1pc. E2310 1pc.

E2314a **E2316**



E2314 1pc. E2316 1pc.

E2319 **E2320**



E2319 2pcs. E2320 1pc. SG2x8 1pc.

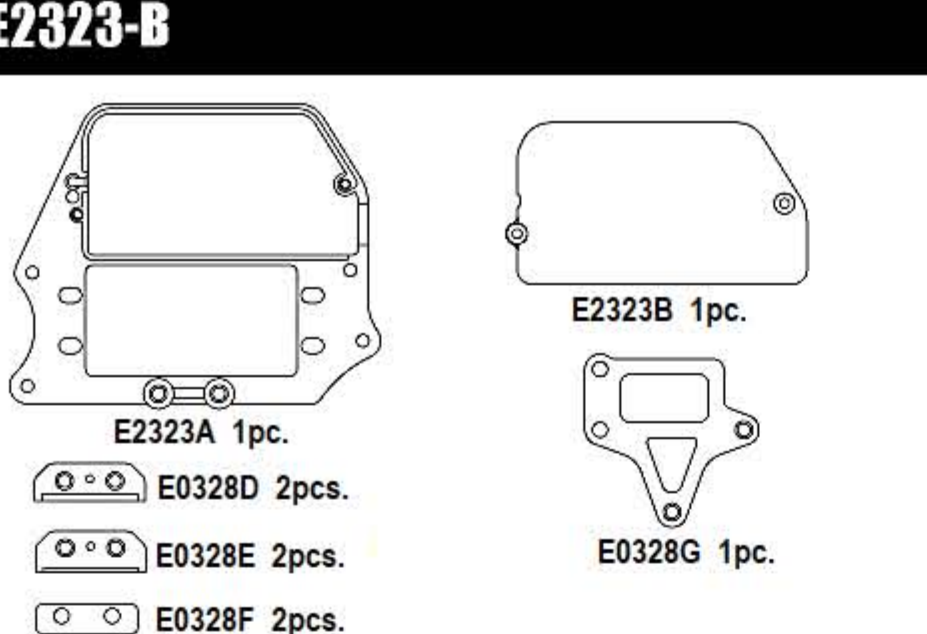
E2322 OPT



E2322 2pcs.

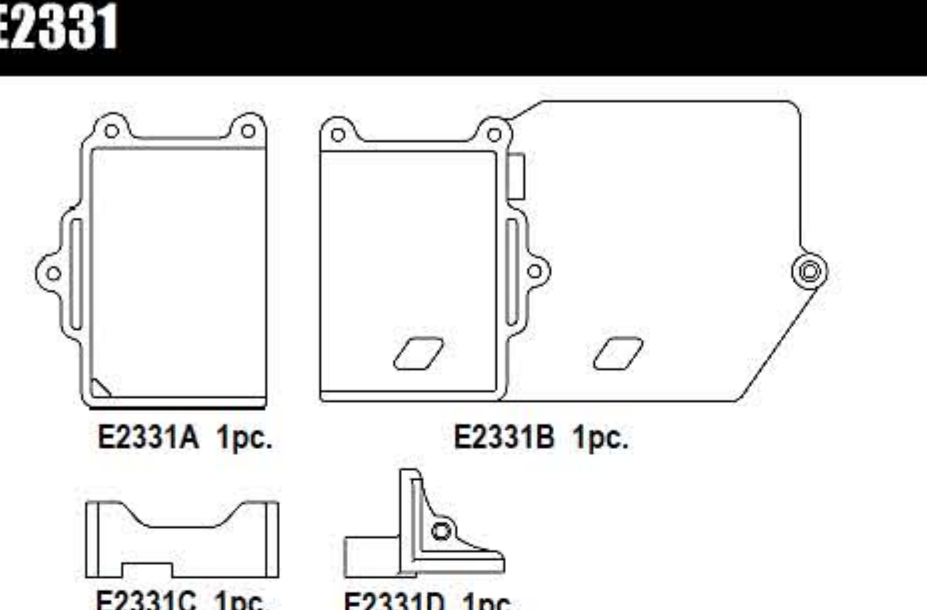
E2254a CONICAL GEAR 42T
E2255a CONICAL GEAR 44T
E2256-B F/R DIFF. SET (42T)
E2257-B F/R DIFF. SET (44T)
E2258a PLASTIC SPUR GEAR H.T. 44T
E2259a PLASTIC SPUR GEAR H.T. 46T
E2260 CENTER JOINT CUP
E2261 CENTER SHAFT (84.5)
E2262 CENTER SHAFT (115)
E2270a CLOSED WHEEL NUT
E2271 DIFF. GEAR 20T
E2301a SERVO SAVER
E2306a SERVO SAVER PIPE
E2310a AL. SERVO SAVER ARM
E2314a STEERING PLATE
E2316 SERVO SAVER SPRING (HARD)
E2319 SERVO SAVER SHAFT
E2320 SERVO SAVER SPRING ADJUSTER
E2322 SERVO SAVER SHAFT (ALUM)

E2323-B



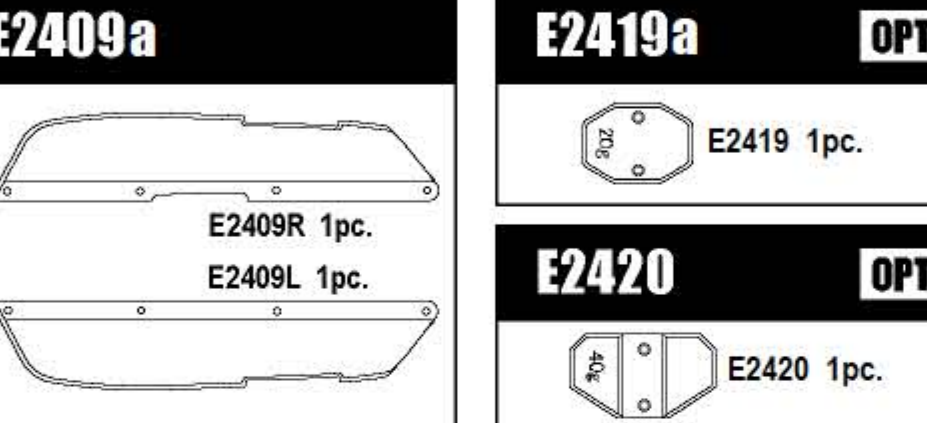
E2323B 1pc.
E2323A 1pc.
E0328D 2pcs.
E0328E 2pcs.
E0328F 2pcs.
E0328G 1pc.

E2331




E2331A 1pc. E2331B 1pc.
E2331C 1pc. E2331D 1pc.

E2409a **E2419a** OPT



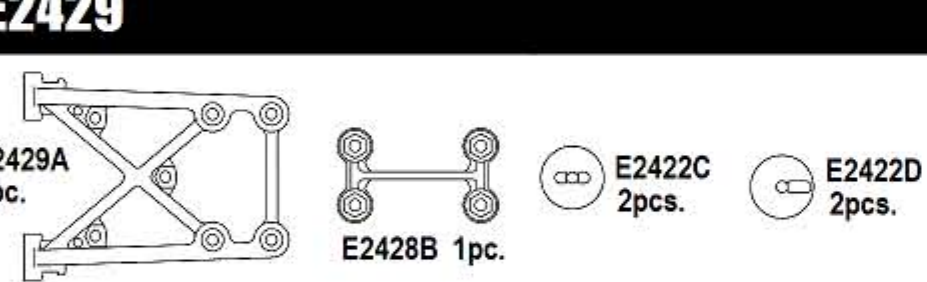
E2409R 1pc. E2409L 1pc.
E2419 1pc.

E2420 OPT




E2420 1pc.

E2421a **E2422a** OPT



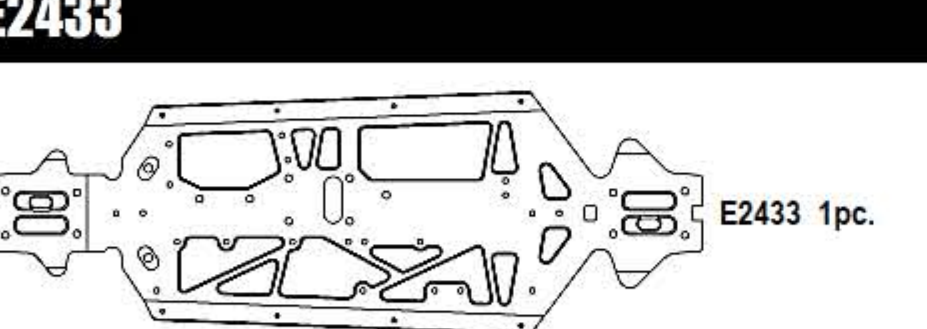
E2421 1pc. E2422A 1pc. E2422B 1pc.
E2422C 2pcs. E2422D 2pcs.

E2429



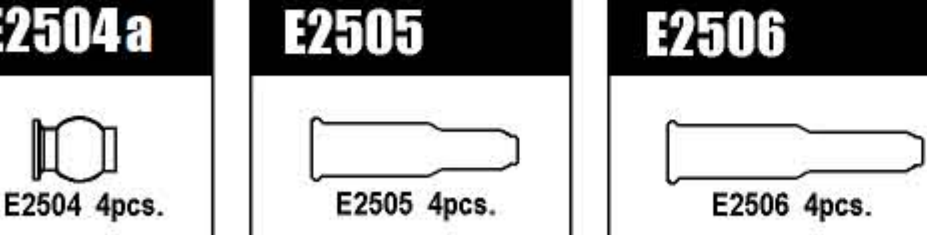
E2429A 1pc. E2428B 1pc.
E2422C 2pcs. E2422D 2pcs.

E2430 **E2431** OPT



E2430 2pcs. E2431 1pc.

E2433



E2433 1pc.


E2504a **E2505** **E2506**



E2504 4pcs. E2505 4pcs. E2506 4pcs.

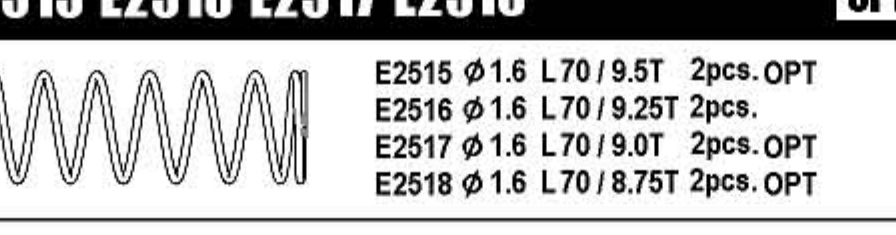
E2323-B SERVO MOUNT & RECEIVER BOX
E2331 BATTERY HOLDER
E2409a STONE GUARD
E2419a WEIGHT 20g
E2420 WEIGHT 40g
E2421a FRONT BUMPER
E2422a REAR WING STAY
E2429 REAR WING MOUNT (+15)
E2430 AL. WING BUTTONS
E2431 REAR WING MOUNT PLATE CFRP
E2433 CHASSIS
E2504a DAMPER END BALL
E2505 DAMPER BOOTS S
E2506 DAMPER BOOTS L

E2507 E2508 E2509 E2510 OPT




E2507 ϕ 1.5 L70/8.25T 2pcs. OPT
E2508 ϕ 1.5 L70/8.0T 2pcs. OPT
E2509 ϕ 1.5 L70/7.75T 2pcs. OPT
E2510 ϕ 1.5 L70/7.5T 2pcs. OPT

E2515 E2516 E2517 E2518 OPT



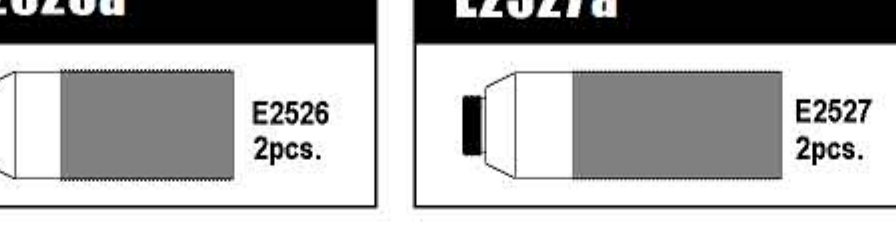
E2515 ϕ 1.6 L70/9.5T 2pcs. OPT
E2516 ϕ 1.6 L70/9.25T 2pcs. OPT
E2517 ϕ 1.6 L70/9.0T 2pcs. OPT
E2518 ϕ 1.6 L70/8.75T 2pcs. OPT

E2523 **E2524** **E2525a**



E2523 2pcs. AS-018 O-Ring 2pcs.
E2524 4pcs. E2525 4pcs. (White)

E2526a **E2527a**



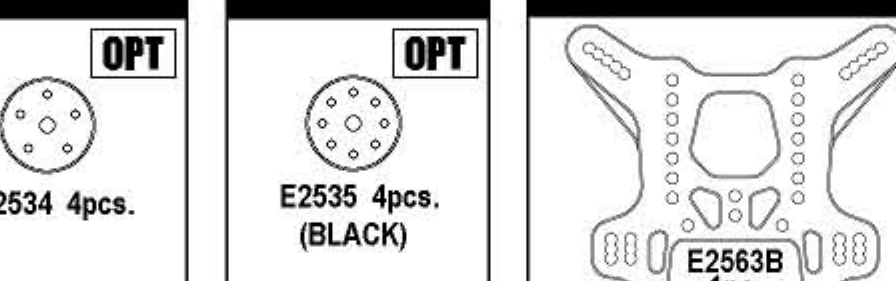
E2526 2pcs. E2527 2pcs.

E2530 **E2531**



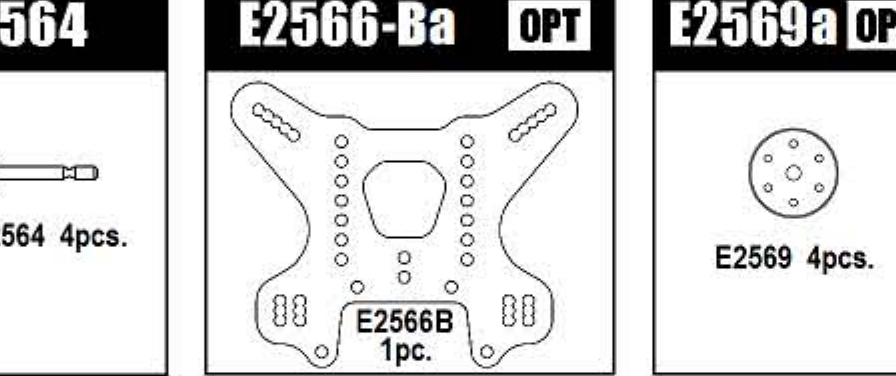
AS-018 O-Ring 10pcs. E2531 2pcs.

E2534a OPT **E2535a** OPT **E2563-Ba**



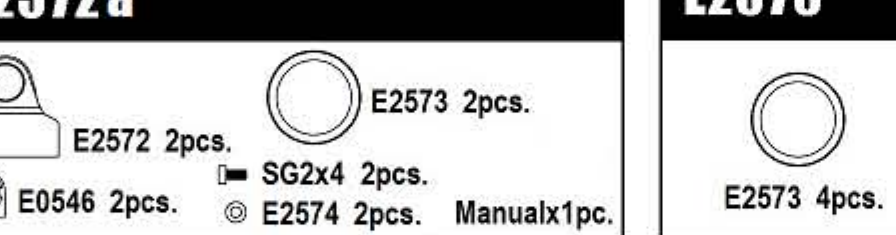
E2534 4pcs. E2535 4pcs. (BLACK)
E2563B 1pc.

E2564 **E2566-Ba** OPT **E2569a** OPT




E2564 4pcs. E2566B 1pc. E2569 4pcs.

E2572a **E2573**



E2572 2pcs. SG2x4 2pcs. Manualx1pc.
E2573 2pcs. E2573 4pcs.

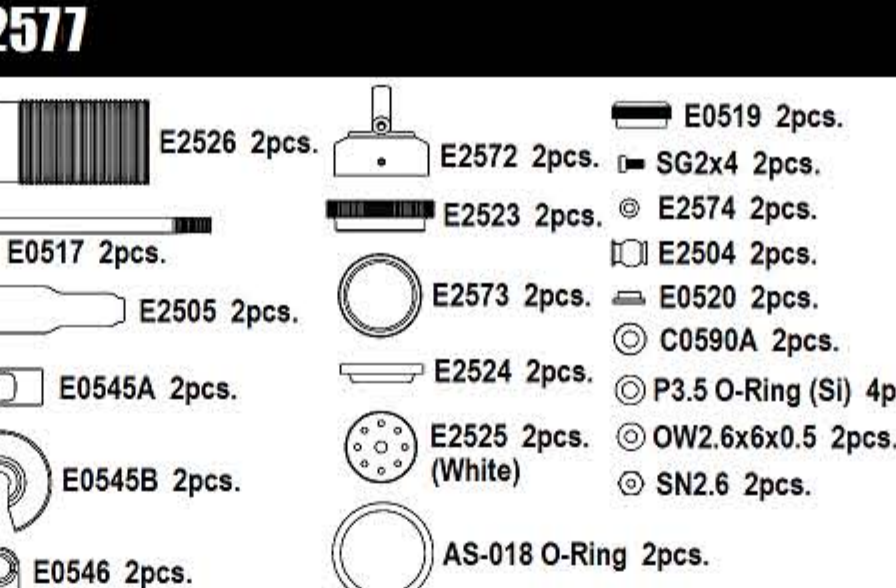
E2574a **E2575** **E2576** OPT



OW2x4x0.5 (Aluminium) 10pcs. E2575 1pc. E2576 1pc.

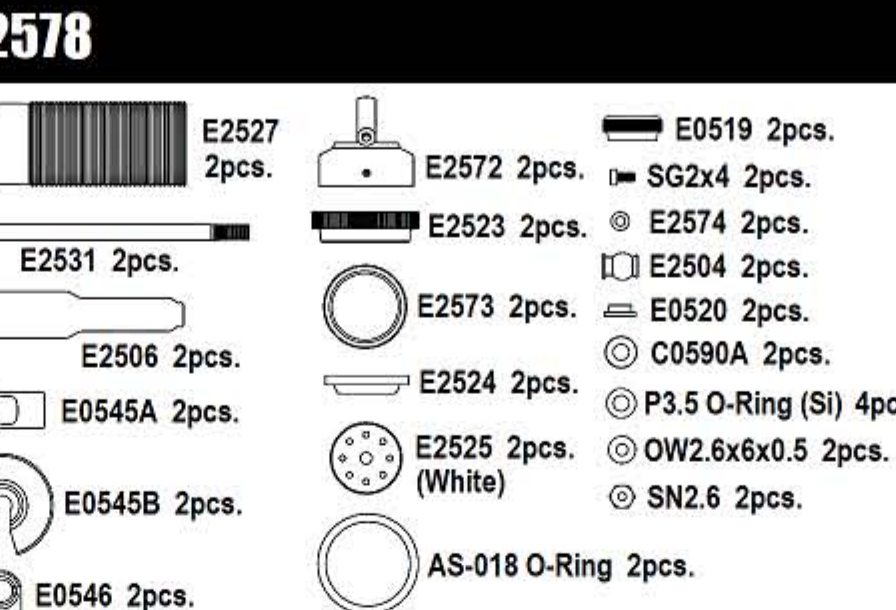
E2507 FRONT DAMPER SPRING ϕ 1.5 L70/8.25T
E2508 FRONT DAMPER SPRING ϕ 1.5 L70/8.0T
E2509 FRONT DAMPER SPRING ϕ 1.5 L70/7.75T
E2510 FRONT DAMPER SPRING ϕ 1.5 L70/7.5T
E2515 FRONT DAMPER SPRING ϕ 1.6 L70/9.5T
E2516 FRONT DAMPER SPRING ϕ 1.6 L70/9.25T
E2517 FRONT DAMPER SPRING ϕ 1.6 L70/9.0T
E2518 FRONT DAMPER SPRING ϕ 1.6 L70/8.75T
E2523 DAMPER SPRING ADJUSTER
E2524 DIAPHRAGM
E2525a DAMPER PISTON (ϕ 1.3/8H)
E2526a FRONT DAMPER CASE
E2527a REAR DAMPER CASE
E2530 AS-018 O-RINGS
E2531 REAR DAMPER SHAFT
E2534a DAMPER PISTON (ϕ 1.35/5H)
E2535a DAMPER PISTON (ϕ 1.2/8H)
E2563-Ba RAER DAMPER STAY
E2564 SHOCK PIN
E2566-Ba RAER DAMPER STAY (CFRP)
E2569a DAMPER PISTON (ϕ 1.3/6H)
E2572a EMULSION DAMPER CAP
E2573 EMULSION DAMPER CAP SEAL
E2574a OW2x4x0.5 AL. WASHER
E2575 FRONT SHOCK TOWER
E2576 FRONT SHOCK TOWER (CFRP)

E2577



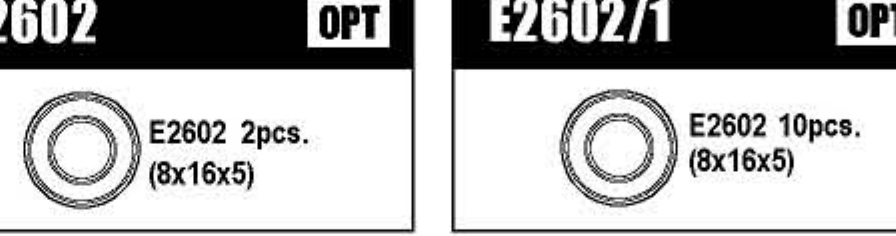
E2526 2pcs. E2572 2pcs. E0519 2pcs. SG2x4 2pcs.
E0517 2pcs. E2523 2pcs. E2574 2pcs. E2504 2pcs.
E2505 2pcs. E2573 2pcs. E0520 2pcs. E0520 2pcs.
E0545A 2pcs. E2524 2pcs. C0590A 2pcs.
E0545B 2pcs. E2525 2pcs. (White) OW2.6x6x0.5 2pcs.
E0546 2pcs. AS-018 O-Ring 2pcs. SN2.6 2pcs.

E2578



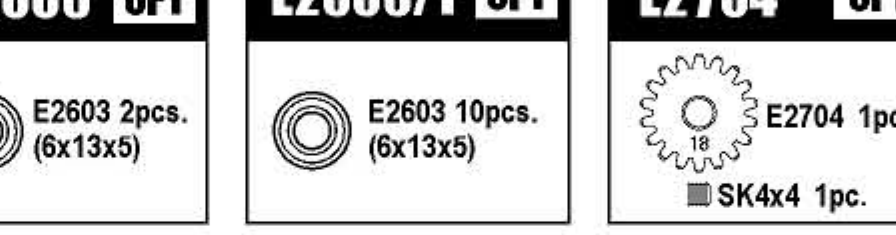
E2527 2pcs. E2572 2pcs. E0519 2pcs. SG2x4 2pcs.
E2531 2pcs. E2523 2pcs. E2574 2pcs. E2504 2pcs.
E2506 2pcs. E2573 2pcs. E0520 2pcs. C0590A 2pcs.
E0545A 2pcs. E2524 2pcs. P3.5 O-Ring (Si) 4pcs.
E0545B 2pcs. E2525 2pcs. (White) OW2.6x6x0.5 2pcs.
E0546 2pcs. AS-018 O-Ring 2pcs. SN2.6 2pcs.

E2602 OPT **E2602/1** OPT



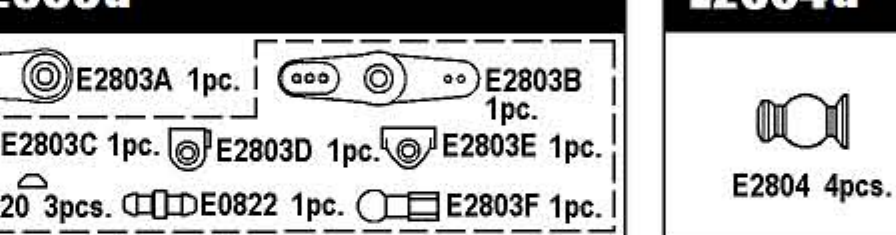
E2602 2pcs. (8x16x5). E2602 10pcs. (8x16x5)

E2603 OPT **E2603/1** OPT **E2704** OPT



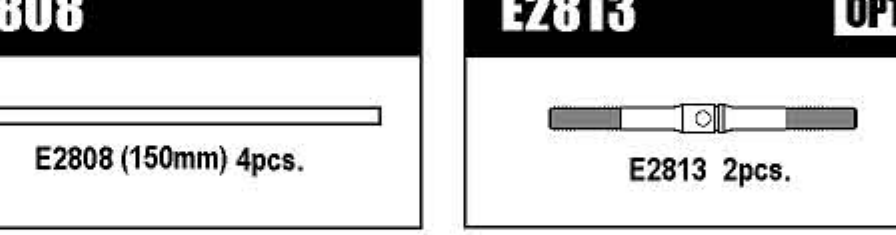
E2603 2pcs. (6x13x5). E2603 10pcs. (6x13x5). E2704 1pc. SK4x4 1pc.

E2803a **E2804a**



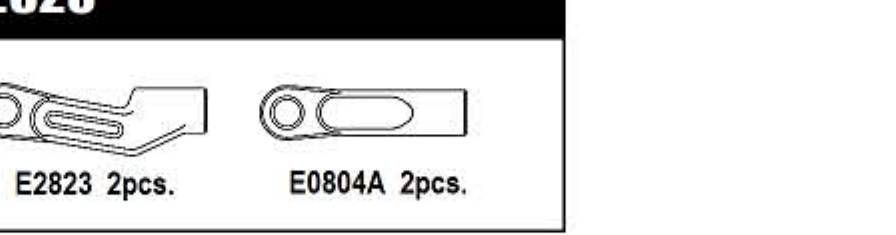
E2803A 1pc. E2803B 1pc. E2803C 1pc. E2803D 1pc. E2803E 1pc. E0820 3pcs. E0822 1pc. E2803F 1pc. E2804 4pcs.

E2808 **E2813** OPT



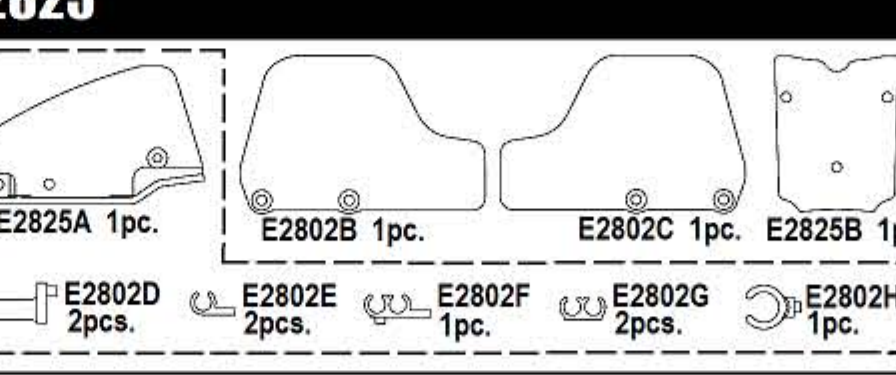
E2808 (150mm) 4pcs. E2813 2pcs.

E2823



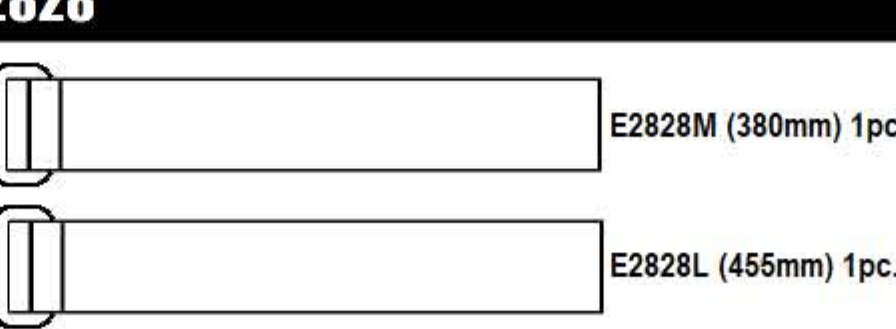
E2823 2pcs. E0804A 2pcs.

E2825



E2825A 1pc. E2802B 1pc. E2802C 1pc. E2825B 1pc.
E2802D 2pcs. E2802E 2pcs. E2802F 1pc. E2802G 2pcs. E2802H 1pc.

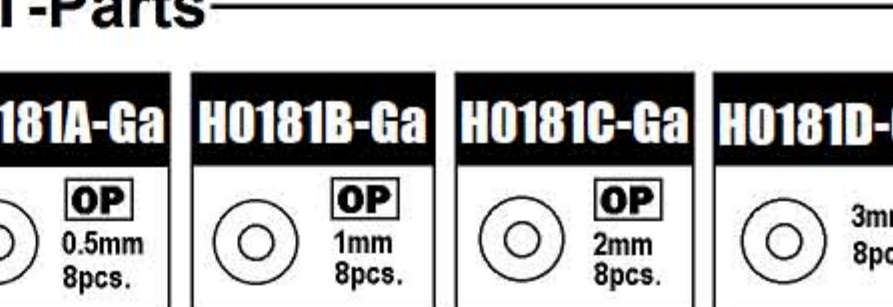
E2828



E2828M (380mm) 1pc. E2828L (455mm) 1pc.


E2577 FRONT SHOCK SET
E2578 REAR SHOCK SET
E2602 8x16x5 NMB BEARINGS (2pcs.)
E2602/1 8x16x5 NMB BEARINGS (10pcs.)
E2603 6x13x5 NMB BEARINGS (2pcs.)
E2603/1 6x13x5 NMB BEARINGS (10pcs.)
E2704 PINION GEAR 18T
E2803a SERVO HORN
E2804a PIVOT BALL
E2808 ANTENNA PIPE (150mm)
E2813 TITANIUM STEERING ROD 52
E2823 REAR ROD ENDS
E2825 GUARD SET
E2828 BATTERY STRAP SET

H,T-Parts



H0181A-Ga H0181B-Ga H0181C-Ga H0181D-Ga
OP 0.5mm 8pcs. OP 1mm 8pcs. OP 2mm 8pcs. 3mm 8pcs.


H0274 **H0855a** **T2805a**



ϕ 2.5x11.8Pin 10pcs. C0111C 10pcs. T2805 4pcs.

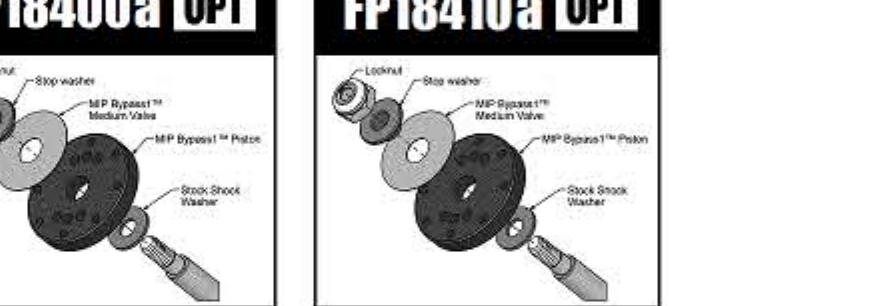
H0181A-Ga 3mm SPACER 0.5mm
H0181B-Ga 3mm SPACER 1.0mm
H0181C-Ga 3mm SPACER 2.0mm
H0181D-Ga 3mm SPACER 3.0mm
H0274 ROLLER PIN ϕ 2.5x11.8 (10pcs.)
H0855a BALL LINK ϕ 6mm (C0111C)
T2805a AL. PIVOT BALL ϕ 6

P0402 **P0403** OPT



P0402 12 LOGO STICKER
P0403 12 LOGO STICKER (METALLIC)

FP18400a OPT **FP18410a** OPT



FP18400a MIP Bypass1 Piston,6H Set,16mm
FP18410a MIP Bypass1 Piston,8H Set,16mm